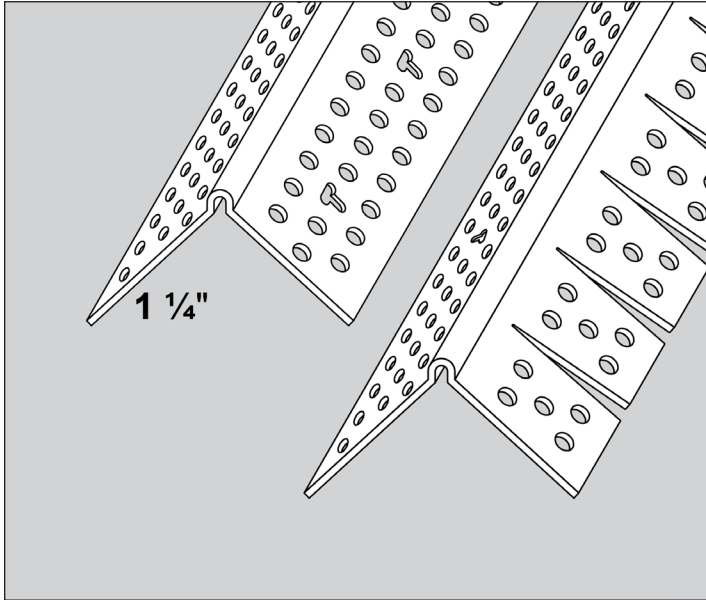


# TRIM-TEX DRYWALL PRODUCTS

# SUBMITTAL SHEET



## Corner Bead & Archway

STOCK #	NAME	PCS/BOX
4008	CORNER BEAD 8'	50
4009	CORNER BEAD 9'	50
4010	CORNER BEAD 10'	50
4012	CORNER BEAD 12'	50
4108	ARCHWAY CORNER 8'	50
4110	ARCHWAY CORNER 10'	50

**Description:** Trim-Tex Corner Bead & Archway is designed to finish outside 90° drywall corners and archways.

**Advantages:** Made from rust proof, dent resistant PVC to reduce jobsite and handling damage. Does not contain cellulose, a potential food source for mold

**Limitations:** Product is designed for interior use.

**Applicable Standards:** Rigid PVC products made by Trim-Tex achieve a Class A rating for flame spread and smoke developed when tested under ASTM E84.

**Surface Characteristics:** Trim-Tex products are made from PVC. PVC does not support combustion and is self extinguishing when the source of flame or heat is removed.

**Installation:** Trim-Tex recommends following established acceptable industry standard installation methods. Detailed installation instructions can be found at [www.trim-tex.com](http://www.trim-tex.com).

**Finishing:** Always use a high quality paint.

**Accessories:** 847 Spray Adhesive and Safety Products distributed by Trim-Tex.

Job Name \_\_\_\_\_

Contractor \_\_\_\_\_

Date \_\_\_\_\_

Approvals (Signatures or Stamps)