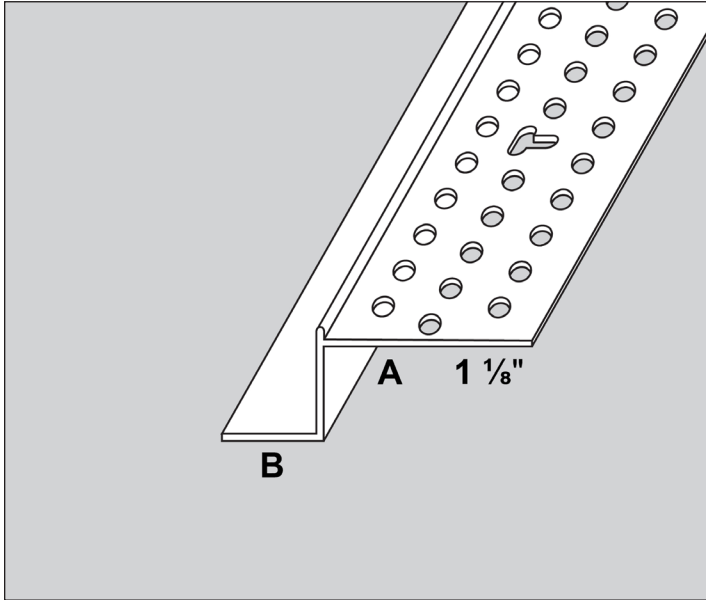


# TRIM-TEX DRYWALL PRODUCTS

# SUBMITTAL SHEET

## Architectural Z Shadow Bead



STOCK #	NAME	PCS/BOX
AS5410	AS 1/2" X 1/4" Z SHADOW 10'	50
AS5450	AS 1/4" X 1/2" Z SHADOW 10'	50
AS5510	AS 1/2" X 1/2" Z SHADOW 10'	50
AS5610	AS 1/2" X 3/4" Z SHADOW 10'	50
AS5650	AS 1/2" X 1" Z SHADOW 10'	30
AS5710	AS 5/8" X 1/4" Z SHADOW 10'	50
AS5750	AS 5/8" X 3/8" Z SHADOW 10'	50
AS5810	AS 5/8" X 1/2" Z SHADOW 10'	50
AS5910	AS 5/8" X 3/4" Z SHADOW 10'	50
AS5960	AS 5/8" X 1 1/4" Z SHADOW 10'	25
AS6010	AS 5/8" X 5/8" Z SHADOW 10'	50

\*SIZES LISTED AS A X B

**Description:** Trim-Tex Architectural Z Shadow Bead is designed to create sharp reveal edges when butting up to ceilings, base trim, and other finished interior architectural components.

**Advantages:** Made from rust proof, dent resistant PVC to reduce jobsite and handling damage. Does not contain cellulose, a potential food source for mold

**Limitations:** Product is designed for interior use.

**Applicable Standards:** Rigid PVC products made by Trim-Tex achieve a Class A rating for flame spread and smoke developed when tested under ASTM E84.

**Surface Characteristics:** Trim-Tex products are made from PVC. PVC does not support combustion and is self extinguishing when the source of flame or heat is removed.

**Installation:** Trim-Tex recommends following established acceptable industry standard installation methods. Detailed installation instructions can be found at [www.trim-tex.com](http://www.trim-tex.com).

**Finishing:** Always use a high quality paint.

**Accessories:** 847 Spray Adhesive and Safety Products distributed by Trim-Tex.

Job Name \_\_\_\_\_

Contractor \_\_\_\_\_

Date \_\_\_\_\_

Approvals (Signatures or Stamps)