

Fire Gasket® Submittal Sheet

STOCK NO.	SIZE	LENGTH	PCS. PER BOX
9265	½"	10'	20
9270	1"	10'	20
9275	1½"	10'	20

Description: Fire Gasket is a fire rated composite vinyl intumescent accessory that provides fire ratings for both dynamic and static joints with both concrete and fluted deck assemblies according to UL-2079 5th Edition. It is designed to be installed against perimeter framing members: top and bottom tracks and perimeter studs.

- Fire Gasket takes the place of fire sealant at building joints and does not require any fire spray over compressed mineral wool when used perpendicular to fluted decks.
- Fire Gasket is manufactured is a pink color vinyl that is easily identified by the inspector.
- Fire Gasket is paintable.
- Fire Gasket features an intumescent strip along the inside leg of the profile where it is protected from any potential trade damages.
- Fire Gasket installs on both sides of the wall and comes in 10' lengths.
- Fire Gasket can be installed in the field or pre-installed to the track prior to installing track in place.
- Fire Gasket is very durable and is not easily damaged, once installed it will not delaminate, it will not take in water, and it will not shrink or harden over time.
- Fire Gasket provides premium STC ratings.
 - STC 51 on 3 5/8" 20 EQ studs unbalanced walls.
 - STC 55 on 3 5/8" 20 EQ studs balanced walls.
 - STC 68 on 2 1/2" double walls.

Advantages: Made from rust proof, dent resistant PVC to reduce job-site and handling damage. Does not contain cellulose, a potential food source for mold. Intumescent tape expands when exposed to flame for increased fire protection.

Limitations: Product is designed for interior use.

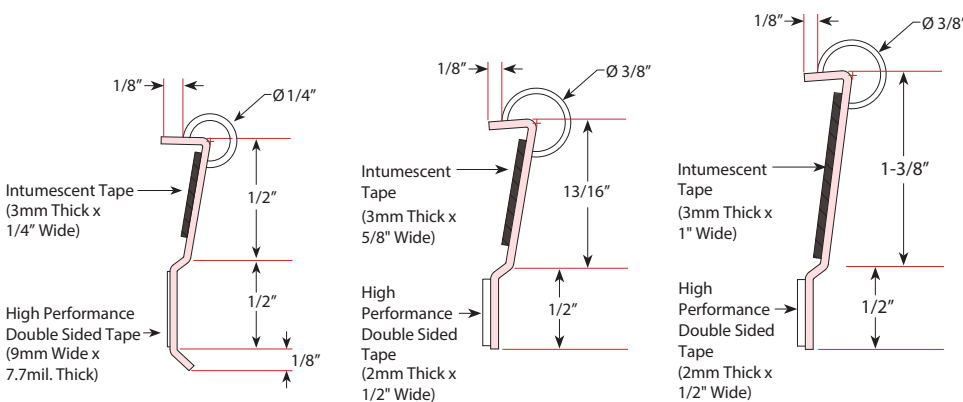
Surface Characteristics: Trim-Tex® products are made from PVC. PVC does not support combustion and is self-extinguishing when the source of flame or heat is removed.

Installation: Trim-Tex® recommends following established acceptable industry standard installation methods. Detailed installation instructions can be found at www.trim-tex.com.

Accessories: Safety Products distributed by Trim-Tex®.

ASTM & Code Standards:

- ASTM E 1966; Standard Test Method of Fire Tests of Firestop Systems – UL 2079 5th Edition Tests for Fire Resistance of Building Joints.
- ASTM E-119 Standard Test Methods for Fire Tests of Building Construction and Material.
- Sound Tested in accordance with ASTM E90-09.
- Air leakage tests conducted for compliance with Section 713.6 of IBC and CBC.
- Intumescent Firestopping tested per ASTM E 84 UL723, Flame Spread 5, Smoke Index 5.
- UL ER25033; UL ER25033-01.
- UL listings/approvals – HW-D-0515; HW-D-0514; HW-D-0524; HW-D-0551; HW-D-0550; HW-D-0554; HW-D-0600; HW-D-0620; HW-D-0652; HW-D-0518; HW-D-0553; HW-D-0573, WW-D-0104; HW-D-0623; WW-S-0057; BW-S-0024; WW-D-0104; HW-D-0625; HW-D-0596; WW-S-0094; HW-D-0525; HW-D-0587; HW-D-0622; HW-D-0553; HW-D-0585.
- U.S. Patent No. 10,246,871; 10,689,842 B2; 10,753,084; 10,954,670.



Job Name _____
 Contractor _____
 Date _____

Approvals (Signatures or Stamps)